

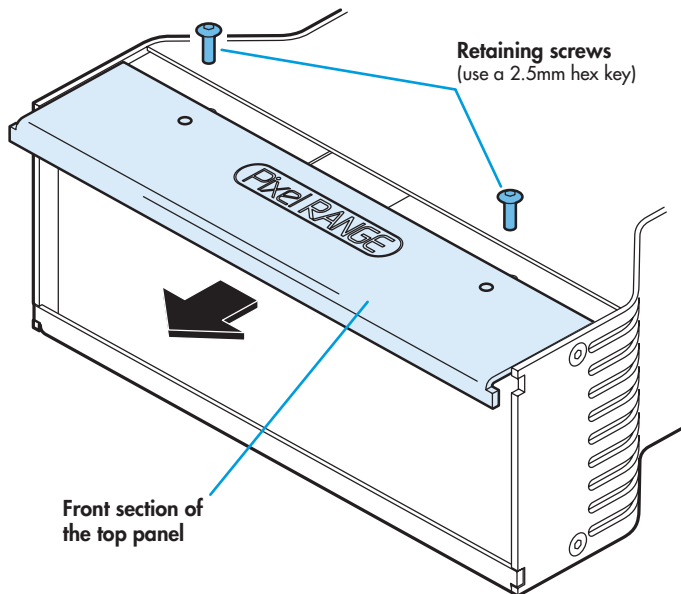
## About diffusers

Diffusers are used to homogenise and directionally shape the light output of LED fixtures. Each diffuser is a composite of a thin diffusion film mounted on a 3mm clear plastic substrate. To avoid damage to the film, ensure that the clear plastic substrate (the shiny side) is facing outwards, i.e. the delicate film will be held against the fixture lens and protected from damage.

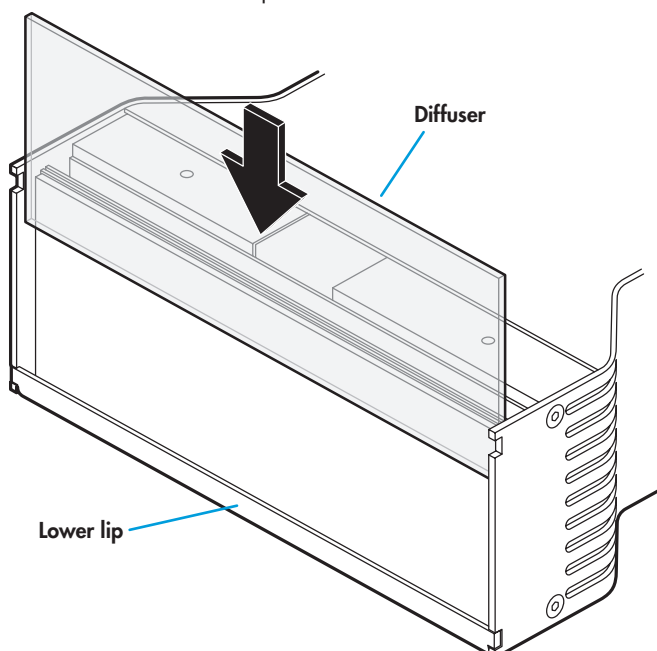
### PixelLine Micro

- 1 Ensure that the fixture is isolated from the mains supply.
- 2 Use a 2.5mm hex key to remove the two retaining screws from the front section of the top panel.
- 3 Carefully pull the panel forward, away from the fixture.

**IMPORTANT:** Take care not to drop any objects into the fixture while the panel is removed.



- 4 Slide the diffuser down with the shiny (clear plastic substrate side) facing outwards, in front of the fixture lens, so that it locates within the lower lip of the fixture.



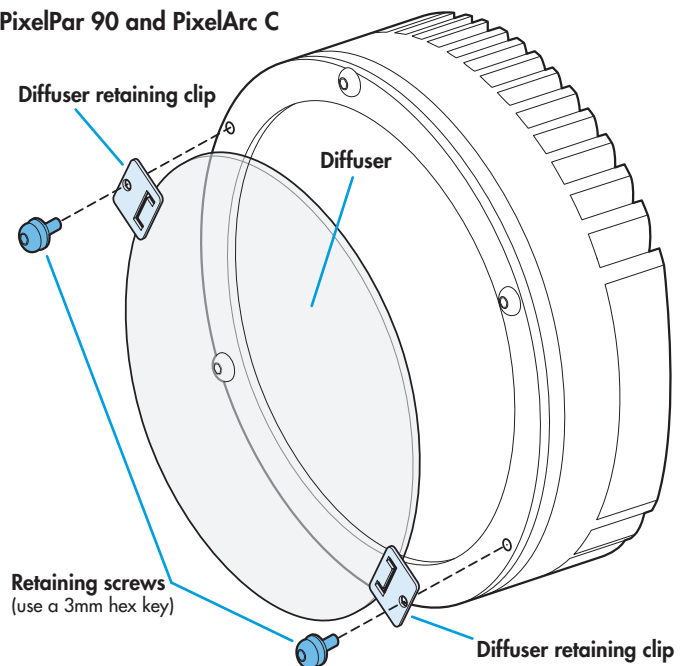
- 5 Carefully replace the top panel. Slide the panel into place such that its locking arms fully engage with the notches on either side of the fixture. Ensure that it correctly retains the diffuser in place.
- 6 Replace and tighten the two retaining screws.

### PixelPar 90, PixelArc C & PixelArc R

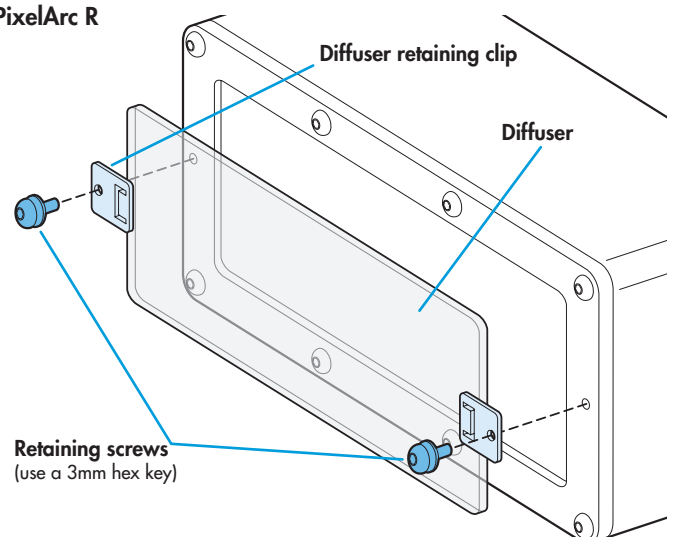
Note: Use the instructions below only for internal installations. For external PixelArc C and PixelArc R installations, please see overleaf.

- 1 Ensure that the fixture is isolated from the mains supply.
- 2 **PixelPar 90 and PixelArc C:** Use a 3mm hex key to remove two opposing retaining screws from the fixture's front ring. Leave the other screws in place.  
**PixelArc R:** Use a 3mm hex key to remove the two middle retaining screws at either side of the fixture's front ring. Leave the other screws in place.
- 3 Place the diffuser over the fixture lens with the shiny (clear plastic substrate side) facing outwards.
- 4 On each side, position a retaining clip as shown, so that they hold the diffuser in place. Replace and tighten the previously removed screws.

#### PixelPar 90 and PixelArc C



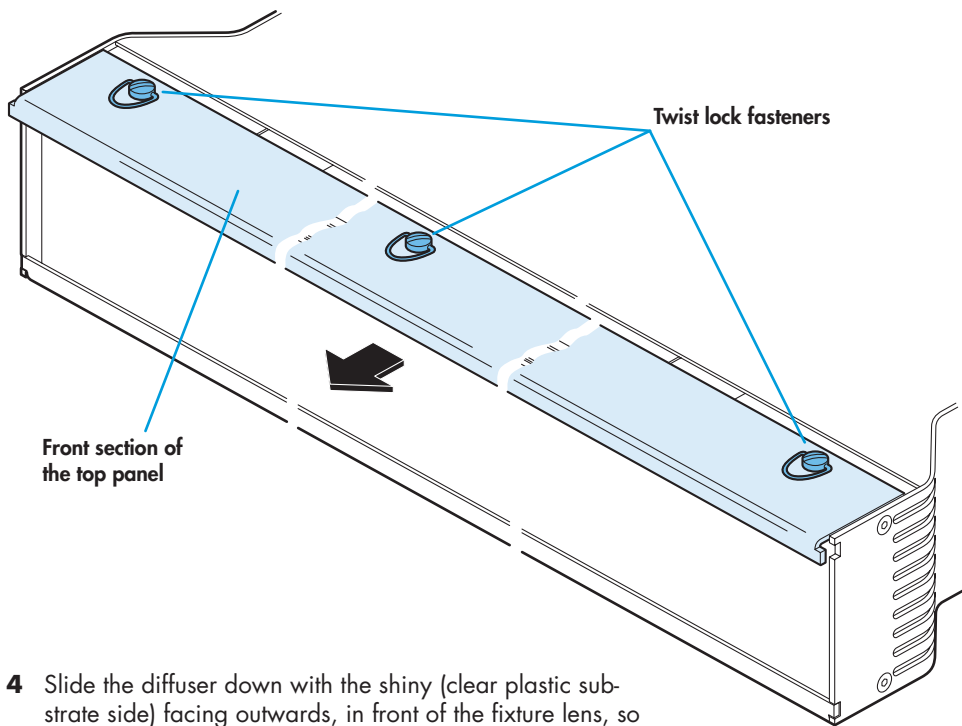
#### PixelArc R



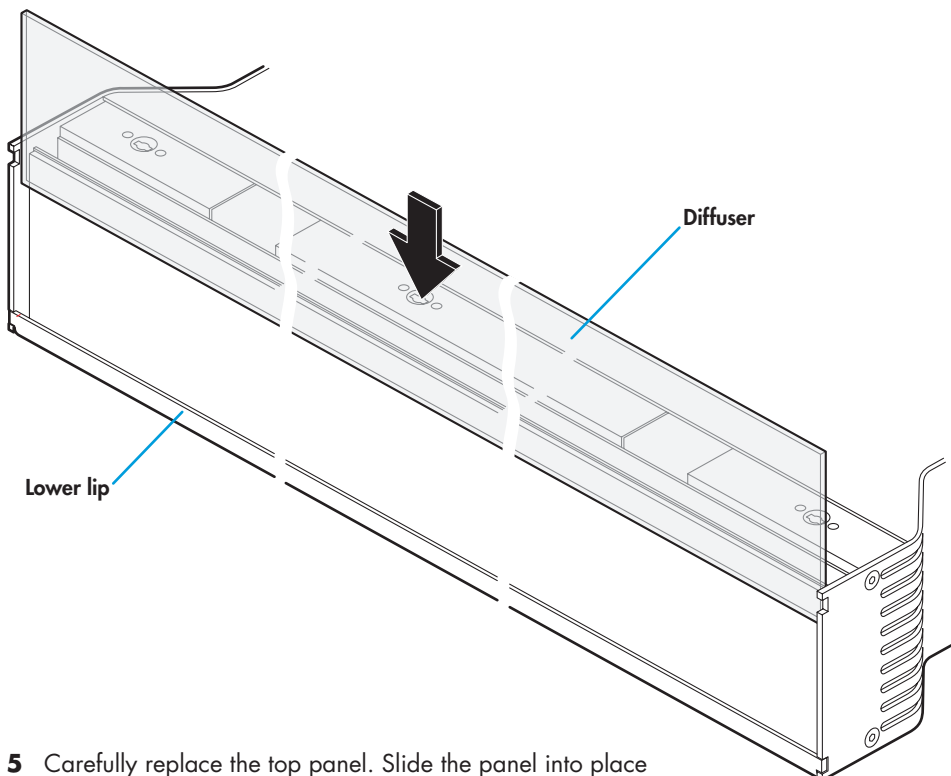
## PixelLine 1044 and PixelLine110

- 1 Ensure that the fixture is isolated from the mains supply.
- 2 On the front section of the top panel, turn each of the three twist lock fasteners anti-clockwise until they release.
- 3 Carefully pull the panel forward, away from the fixture.

**IMPORTANT:** Take care not to drop any objects into the fixture while the panel is removed.



- 4 Slide the diffuser down with the shiny (clear plastic substrate side) facing outwards, in front of the fixture lens, so that it locates within the lower lip of the fixture.



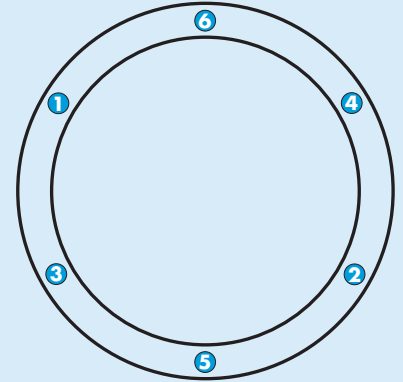
- 5 Carefully replace the top panel. Slide the panel into place such that its locking arms fully engage with the notches on either side of the fixture. Ensure that it correctly retains the diffuser in place.
- 6 Push down and turn clockwise each of the three twist lock fasteners until they engage and retain the panel.

## PixelArc C and PixelArc R (for external use)

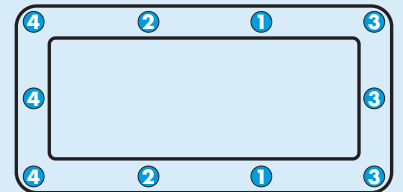
When PixelArc C and PixelArc R fixtures are used externally the diffusers must be fitted behind the glass lens, i.e. within the fixture head casing. Retaining clips are not required.

*Note: To avoid deforming the front ring of the fixture and thus damaging the weather-proof sealing, please follow the loosening and tightening sequences detailed below.*

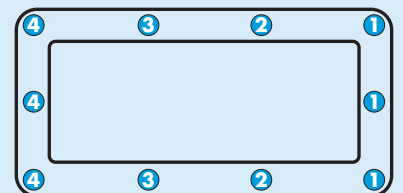
- 1 Ensure that the fixture is isolated from the mains supply.
- 2 **PixelArc C:** Use a 3mm hex key to gradually loosen and remove the retaining screws from the fixture's front ring in the order shown below:



- PixelArc R:** Use a 3mm hex key to gradually loosen and remove the retaining screws from the fixture's front ring in the order shown below:



- 3 Place the diffuser in front of the LED emitters with the shiny (clear plastic substrate side) facing inwards toward the emitters, i.e. the film will face out towards the glass lens, when it is refitted.
- 4 Ensure that the fixture's O-ring seal is in place within its groove and then carefully replace the front ring and glass lens.
- 5 Insert the screws and tighten in stages (i.e. do not tighten each screw all the way in one go) according to the sequence diagrams: For PixelArc C, use the above diagram. For PixelArc R, use the diagram below.



Documentation by **Corporate Text & Design** ([www.ctxd.com](http://www.ctxd.com))  
Release 1.0d